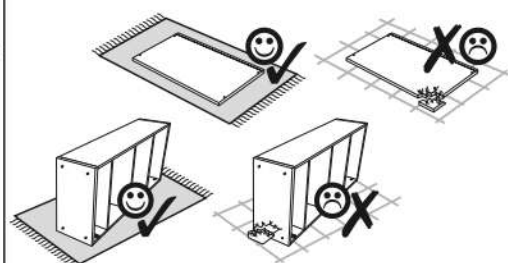
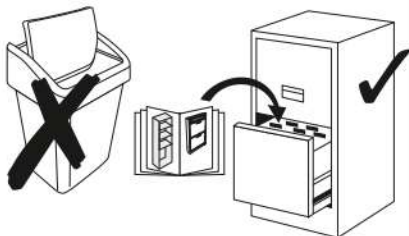
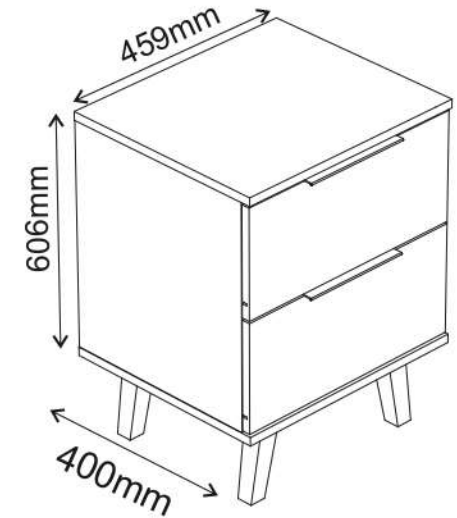
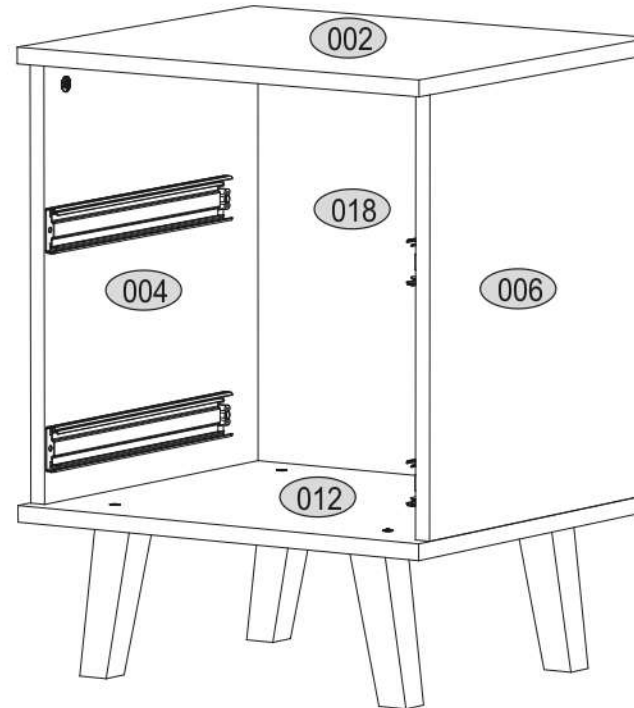
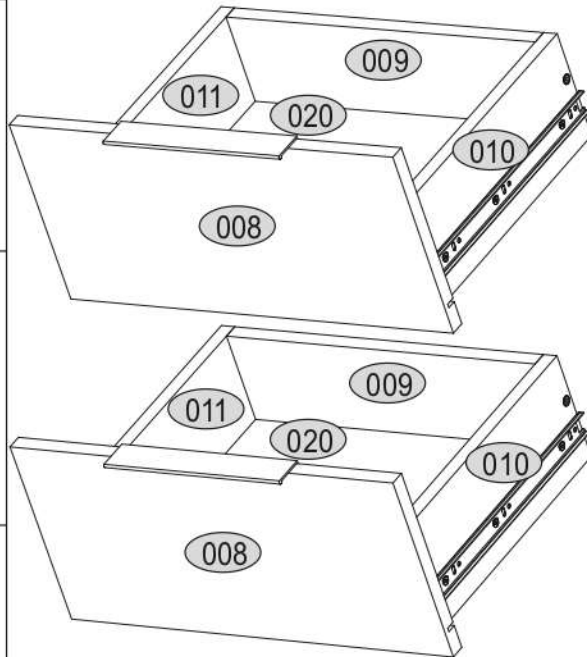
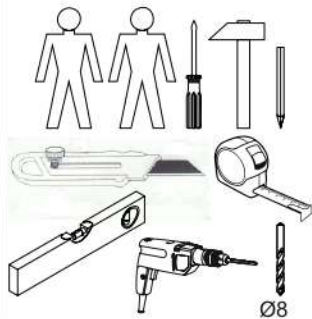




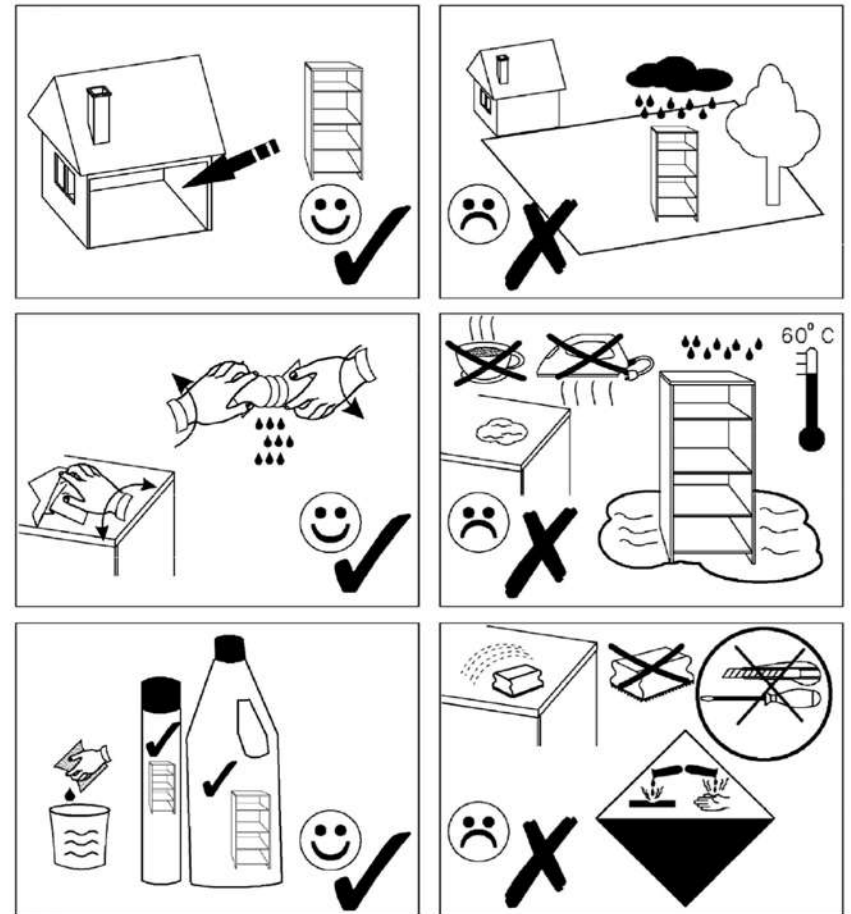
# NEPU 2S 46



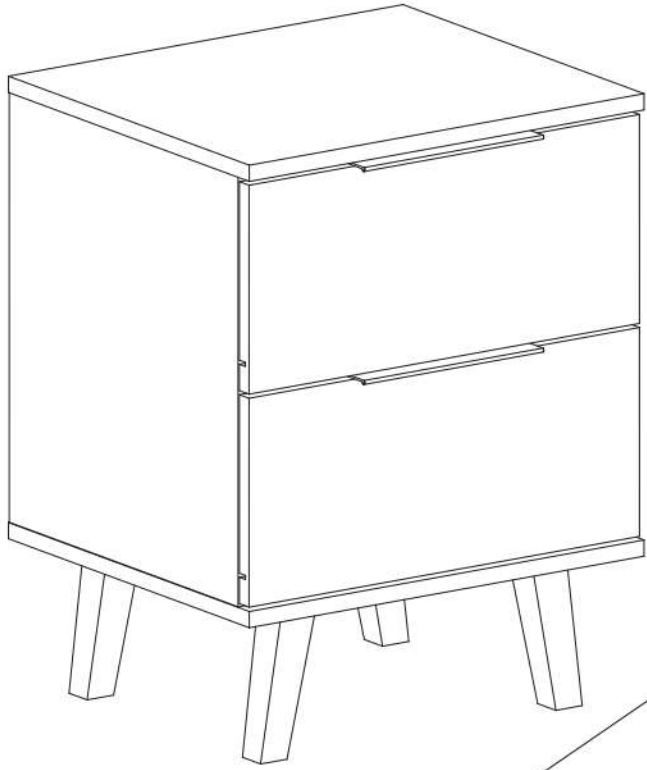
KODA	DIMENZIJE				PAKET
002	459	400	16	1	1/1
004	424	380	16	1	1/1
006	424	380	16	1	1/1
008	454	206	16	2	1/1
009	368	120	16	2	1/1
010	350	120	16	2	1/1
011	350	120	16	2	1/1
012	459	400	16	1	1/1
018	424	425	16	1	1/1
020	352	386	3	2	1/1
DODATKI				2	1/1



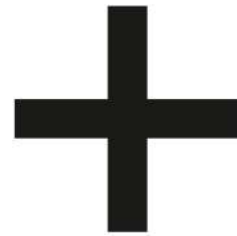
<p>x2 lb-350</p>	<p>x2 c43</p>	<p>x8 r1</p>	<p>x12 e1 Ø7x50mm</p>
<p>x12 s1</p>	<p>x32 f1 Ø8x30mm</p>	<p>x4 p38</p>	<p>x1 z1</p>
<p>x8 r16</p>	<p>x24 p25</p>	<p>x8 s2</p>	<p>x4 k88</p>



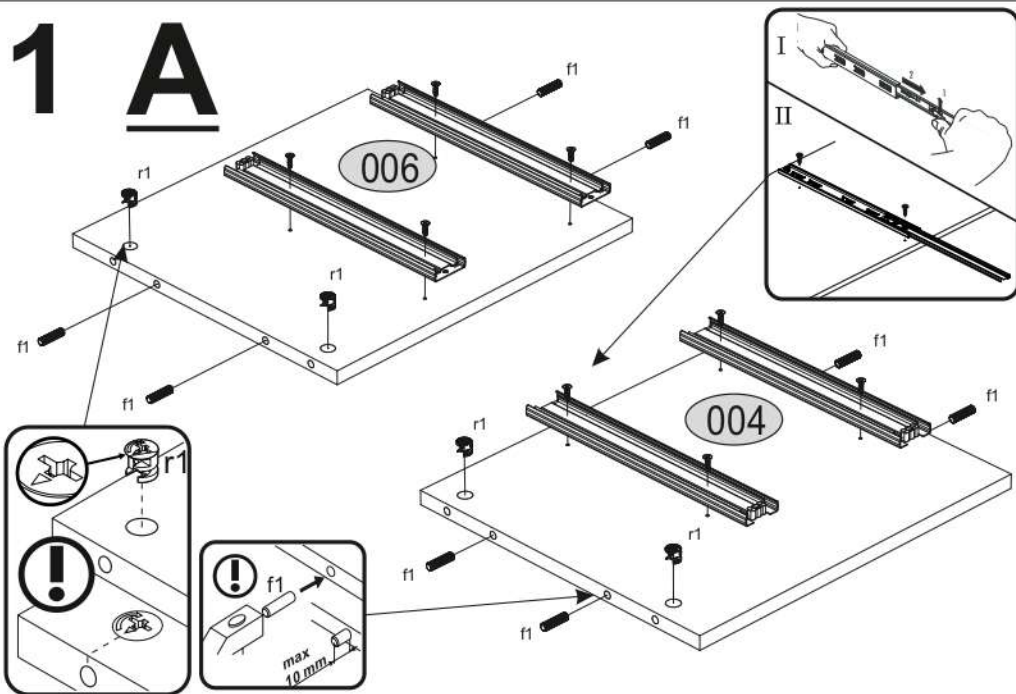
**A**



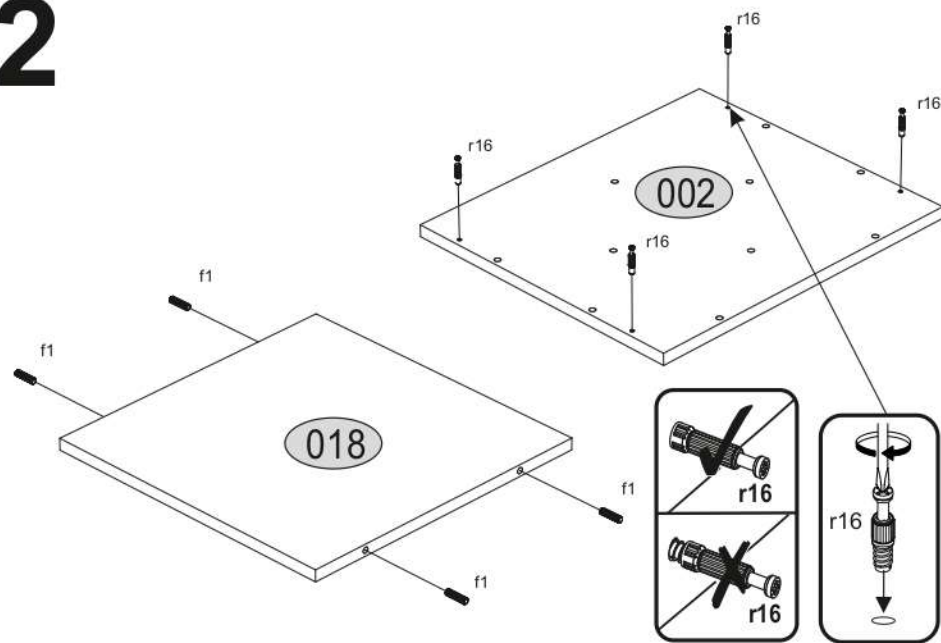
**B**



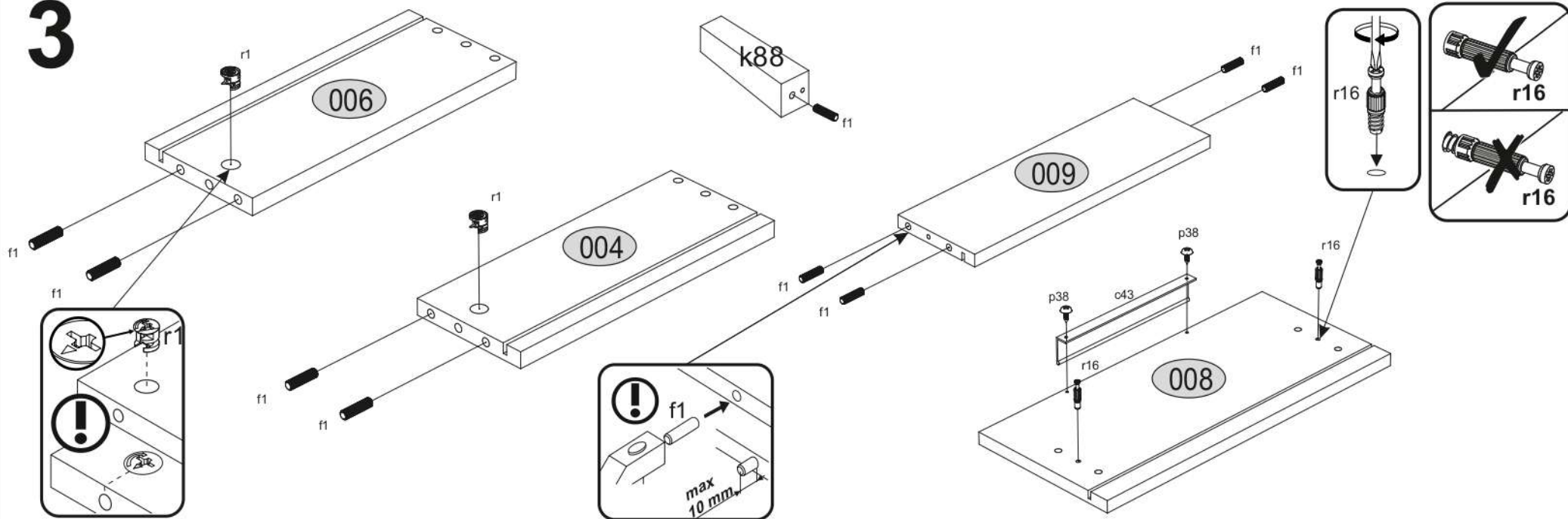
# 1 A

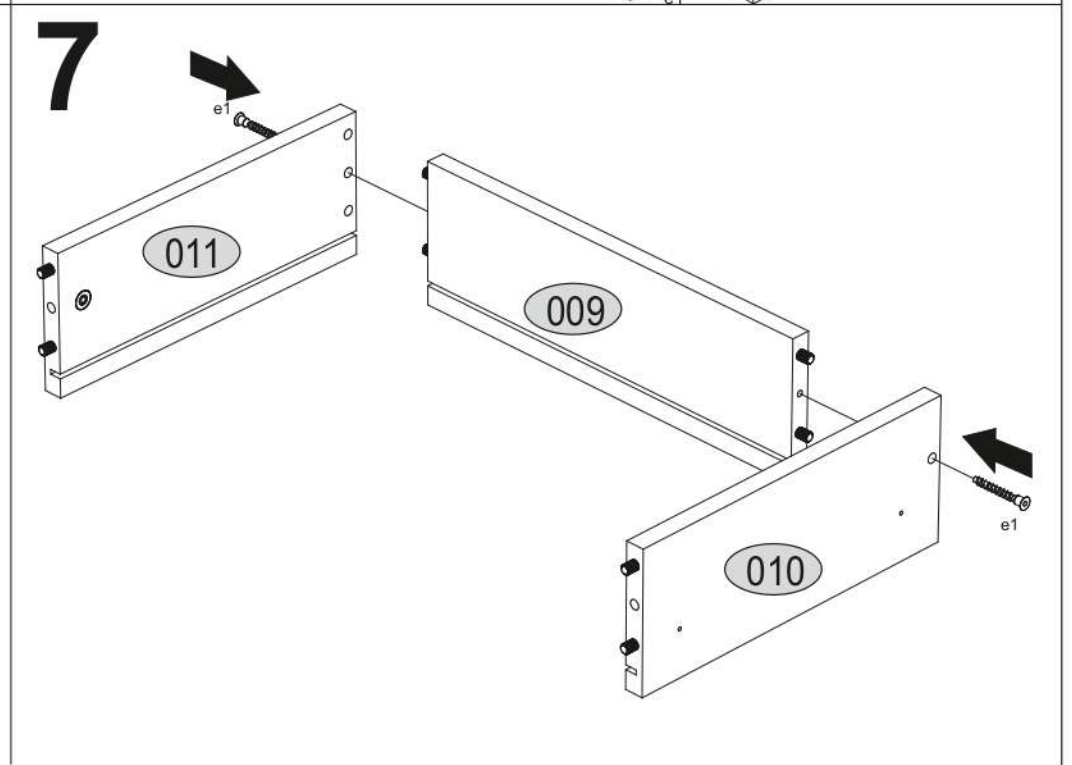
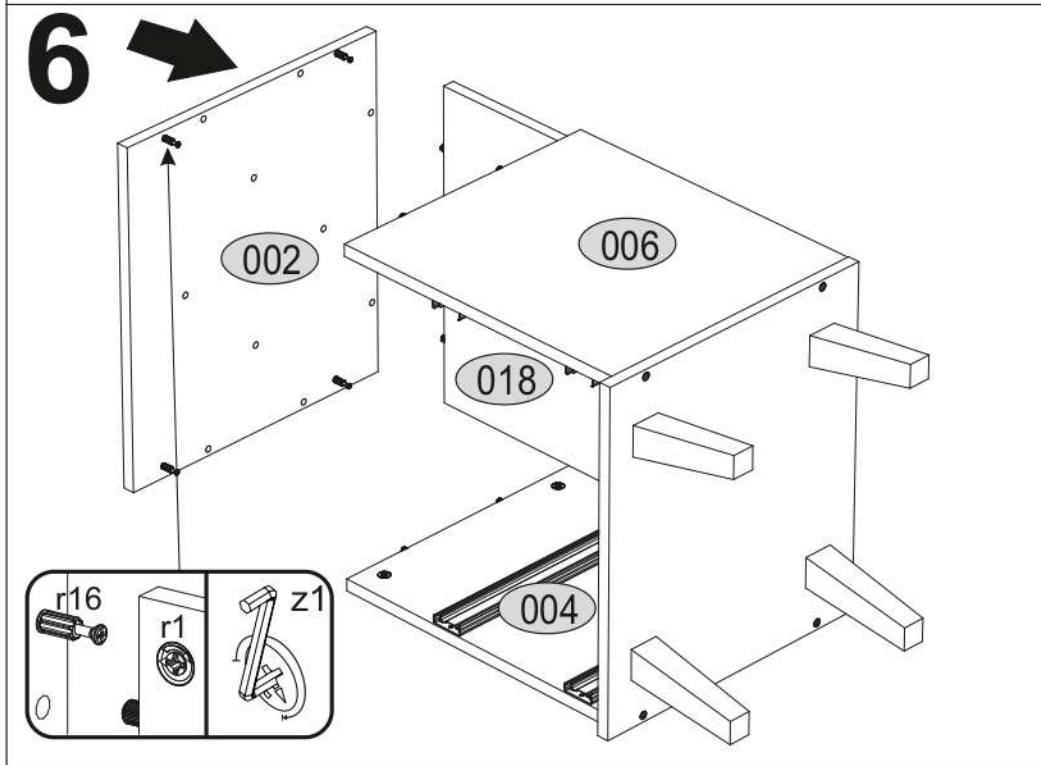
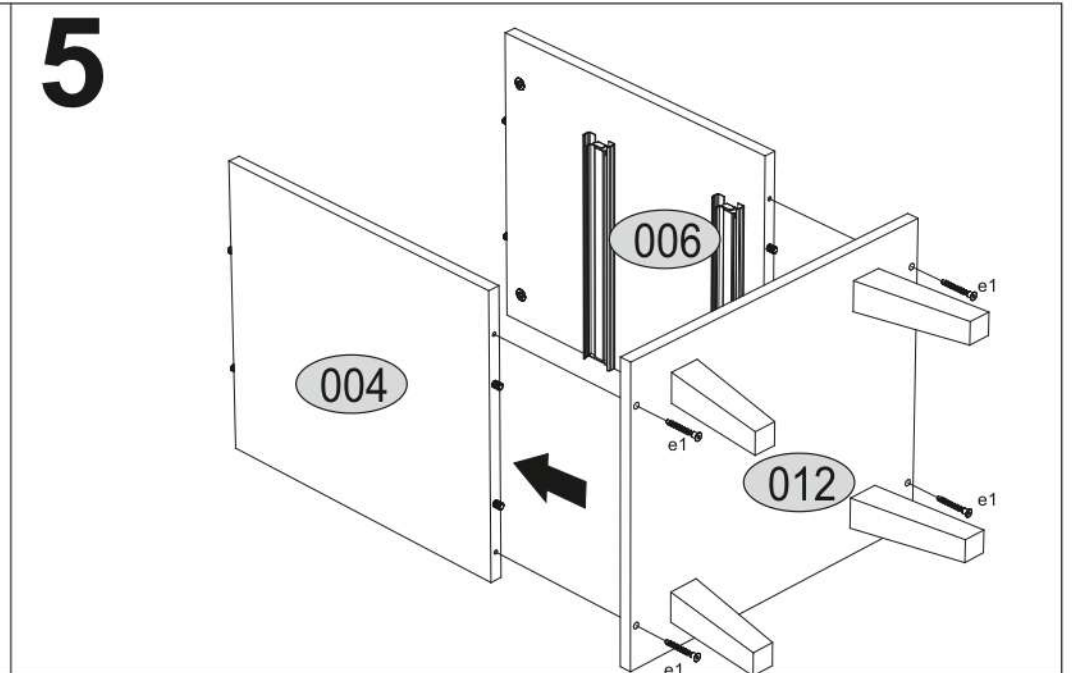
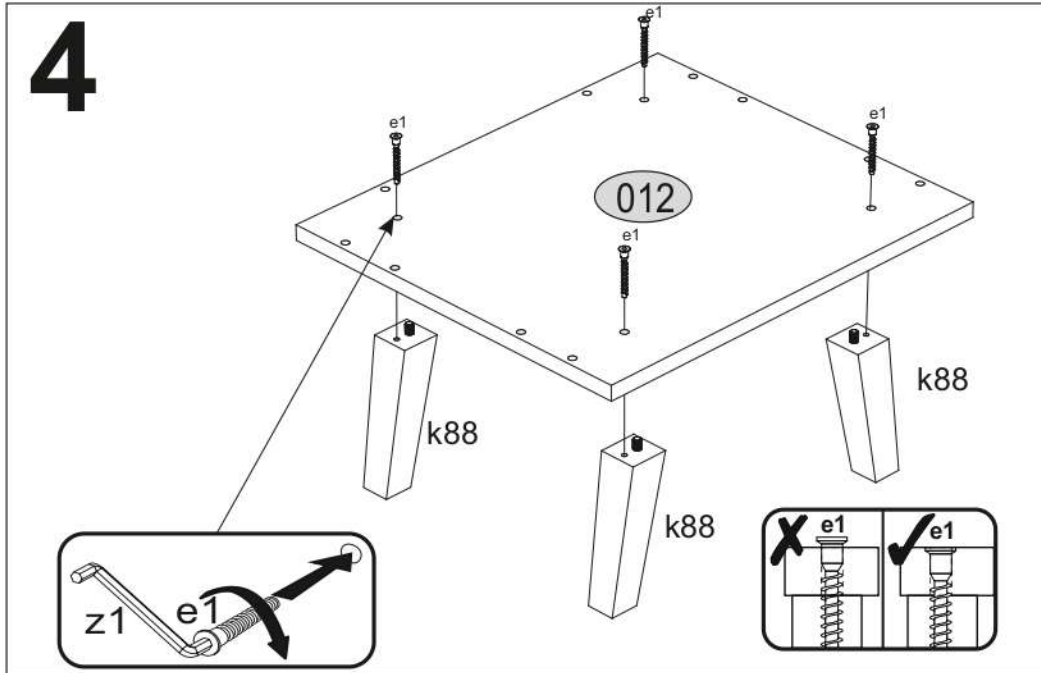


# 2

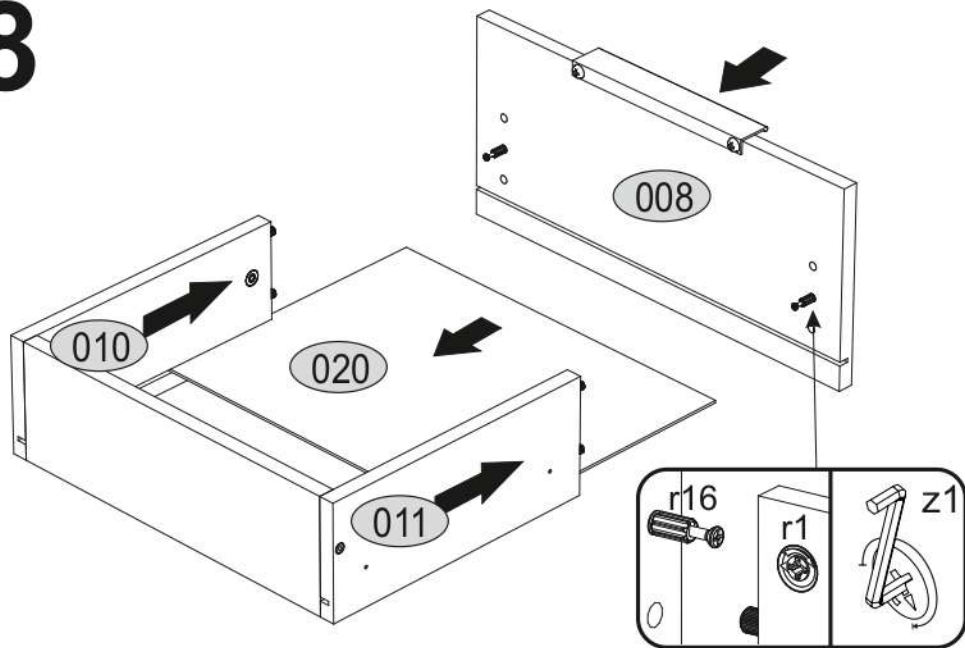


# 3

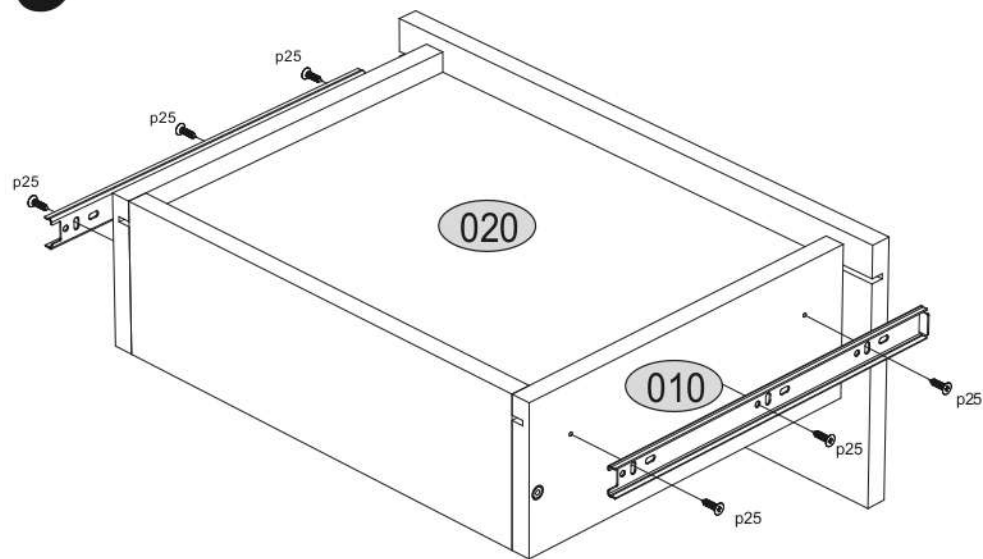




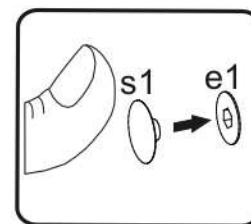
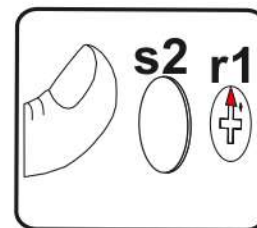
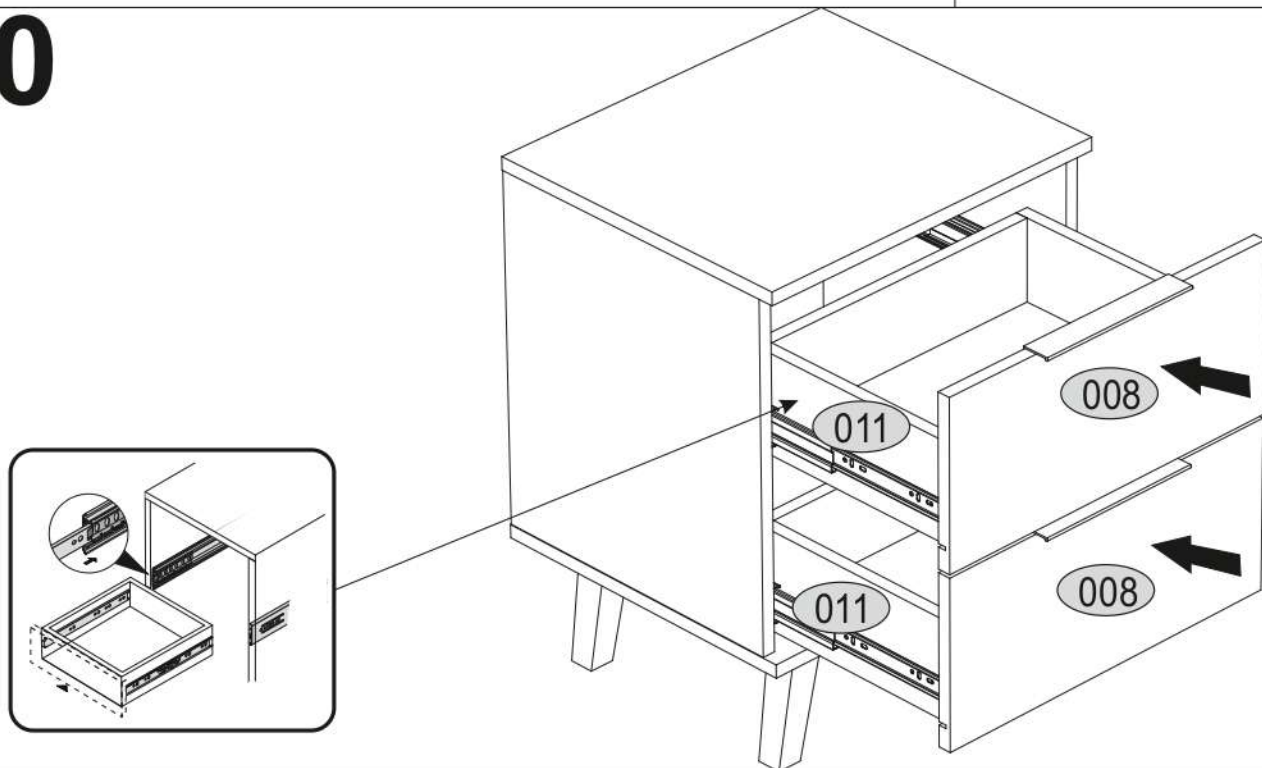
# 8



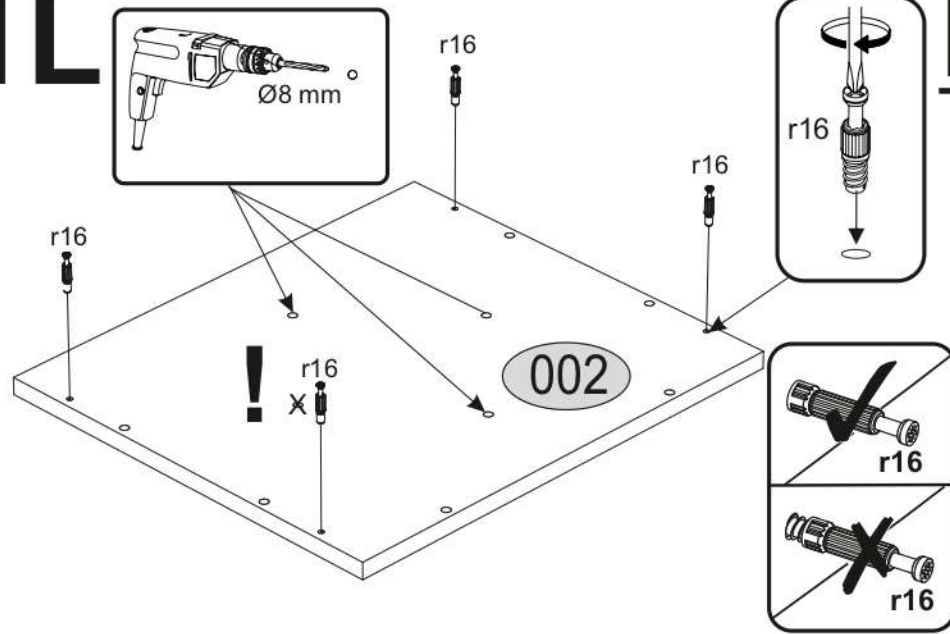
# 9



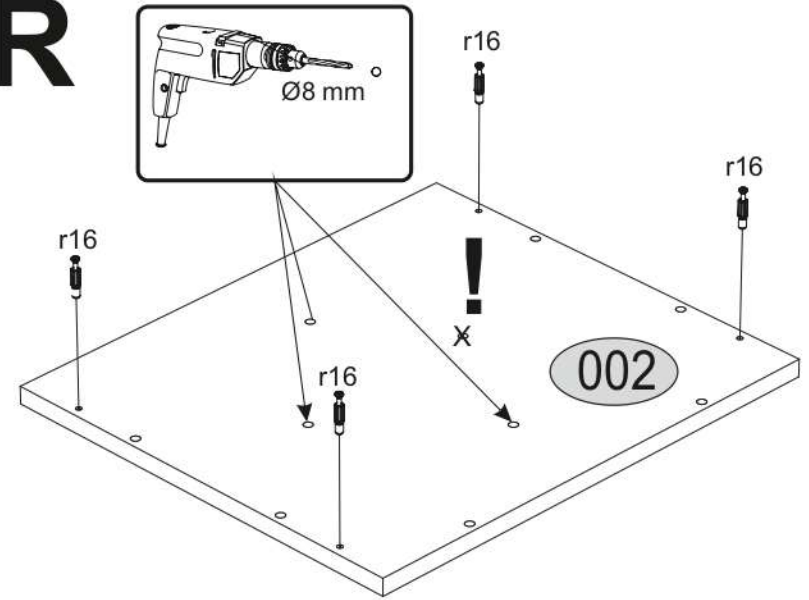
# 10



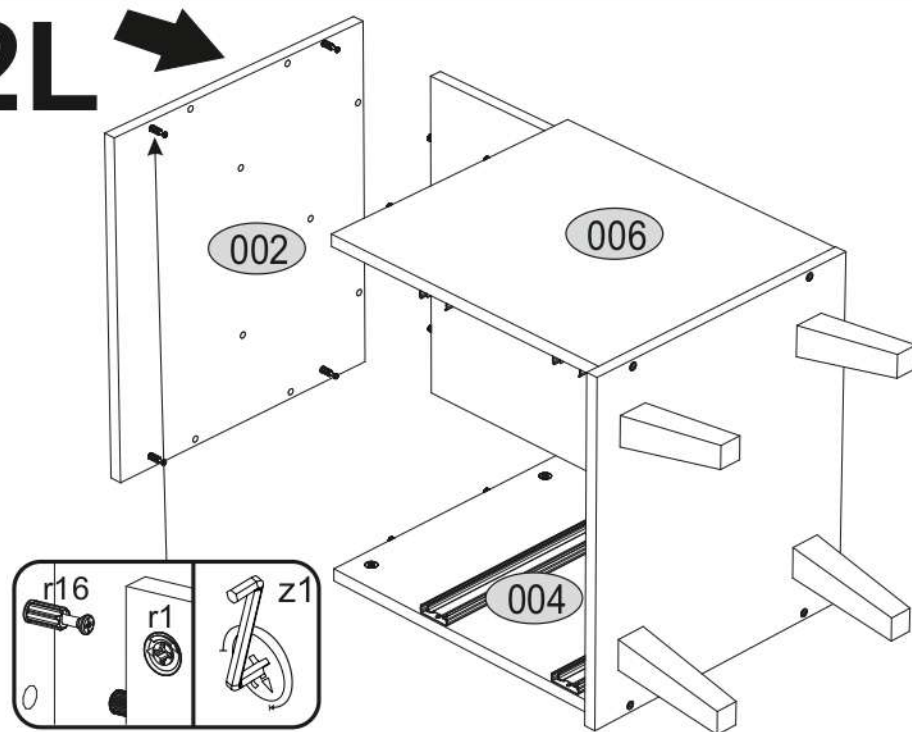
# 1L



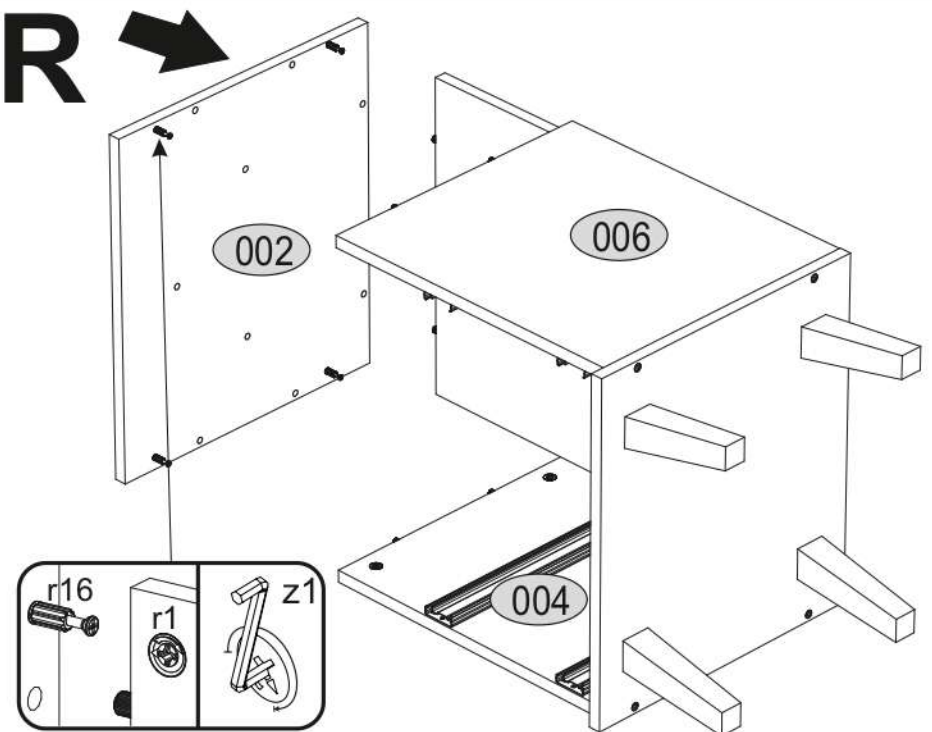
# B 1R



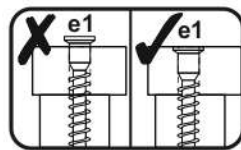
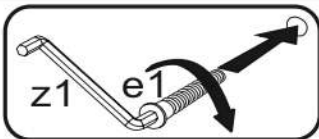
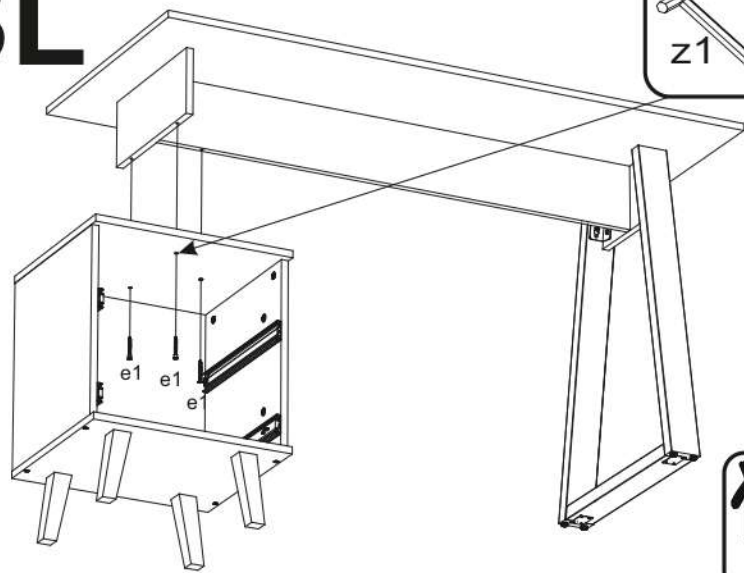
# 2L



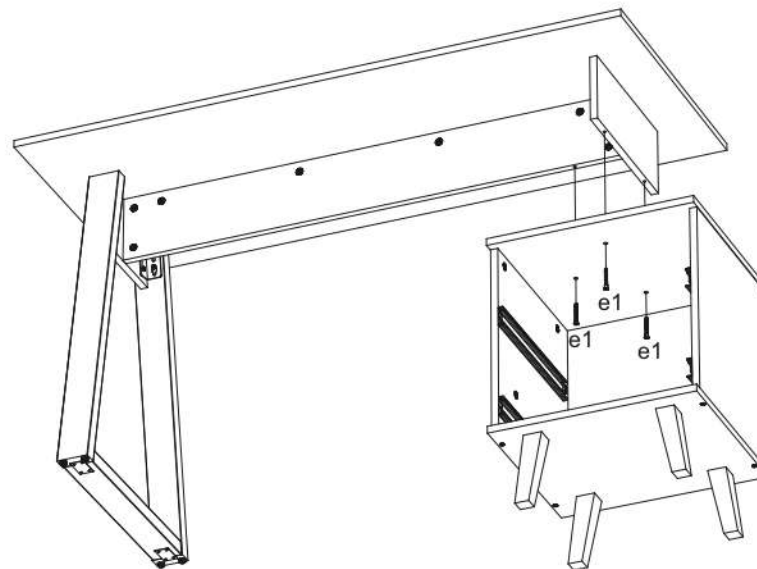
# 2R



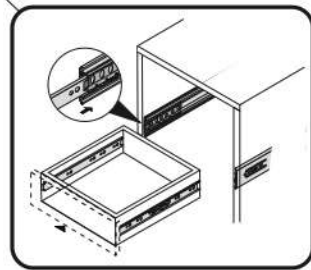
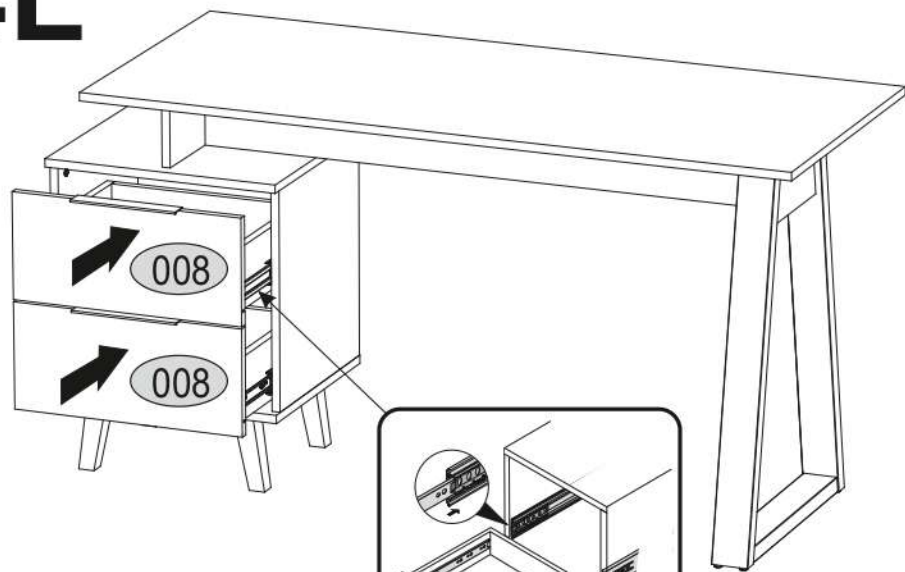
# 3L



# 3R



# 4L



# 4R

